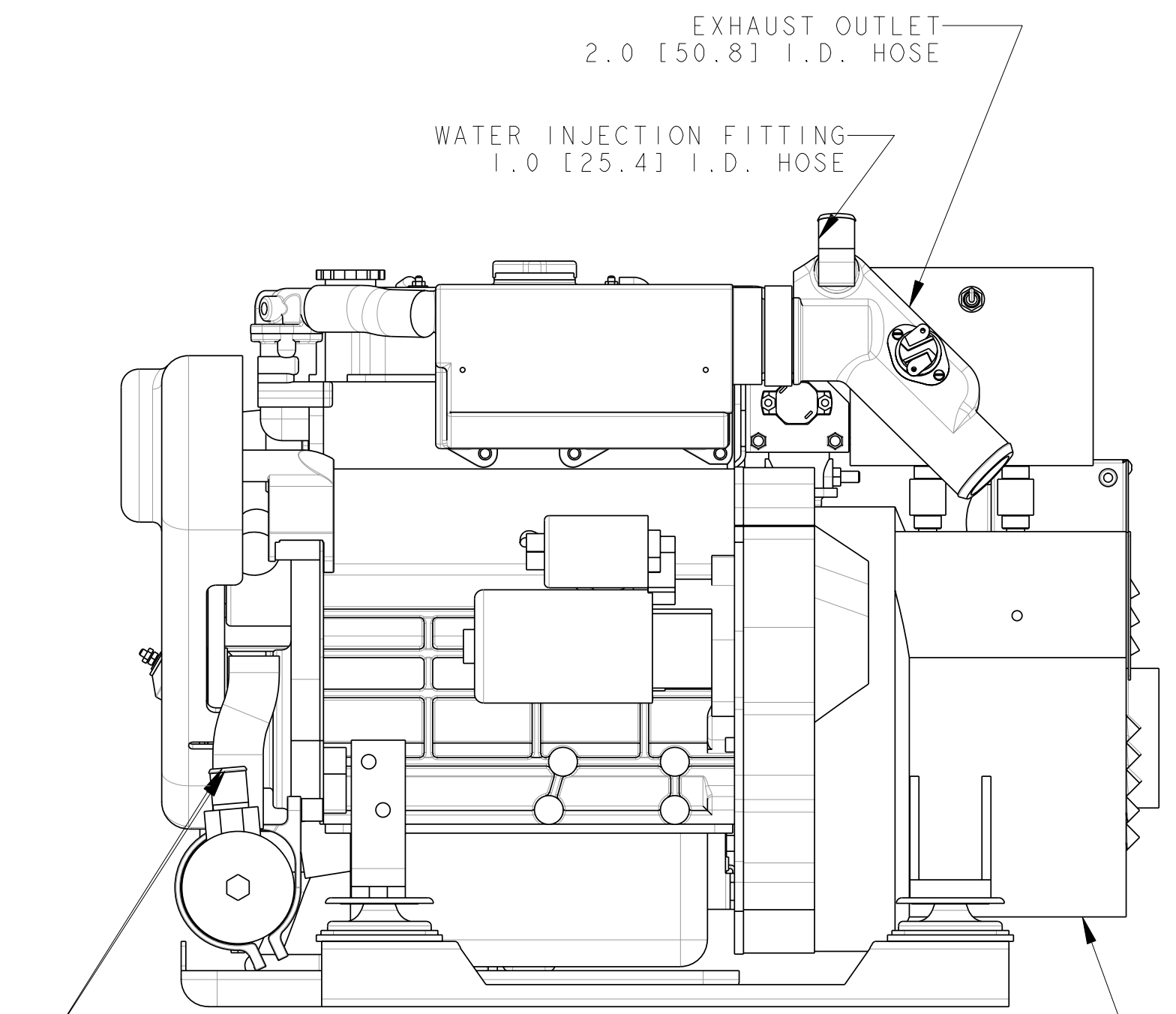
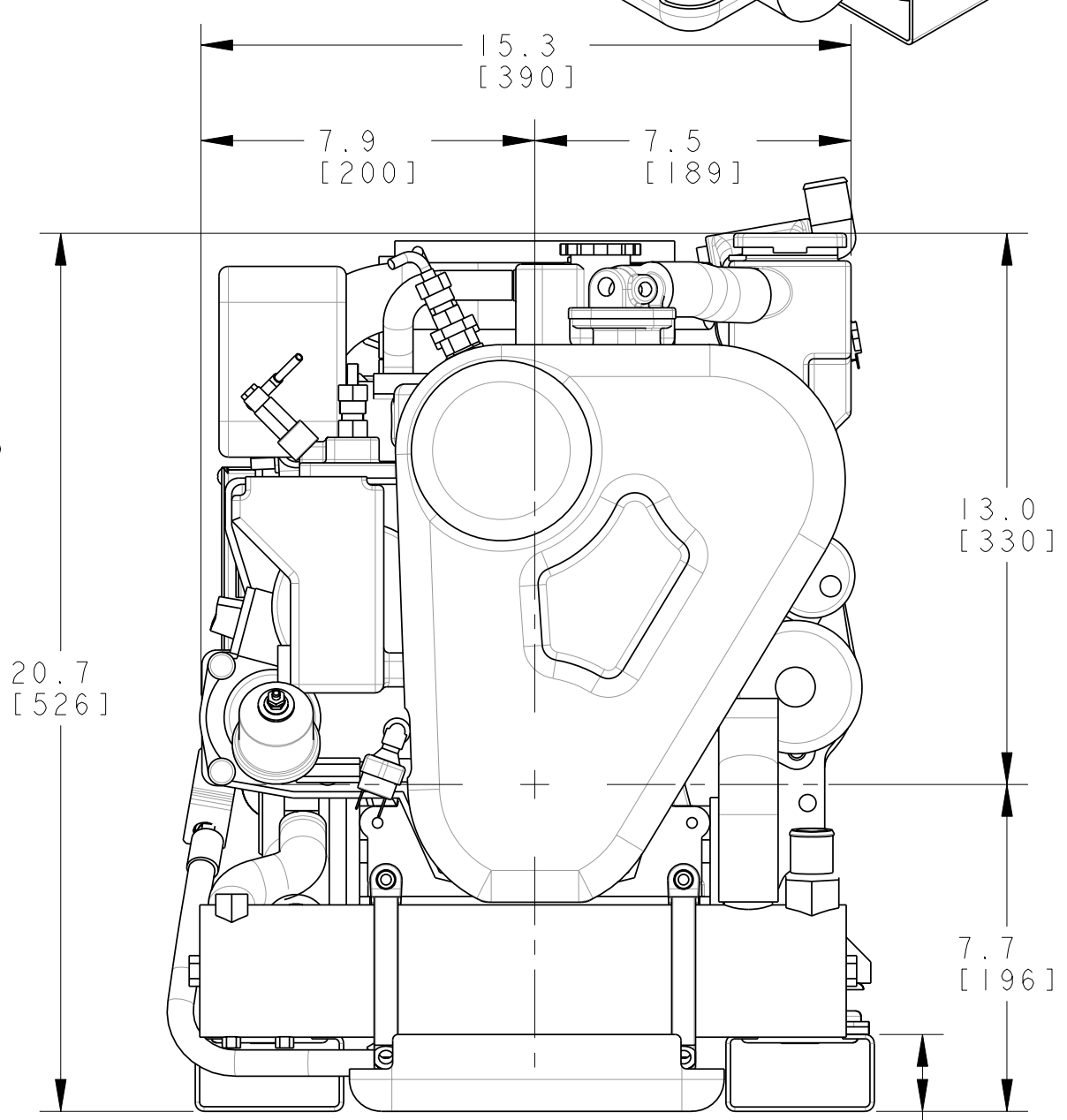
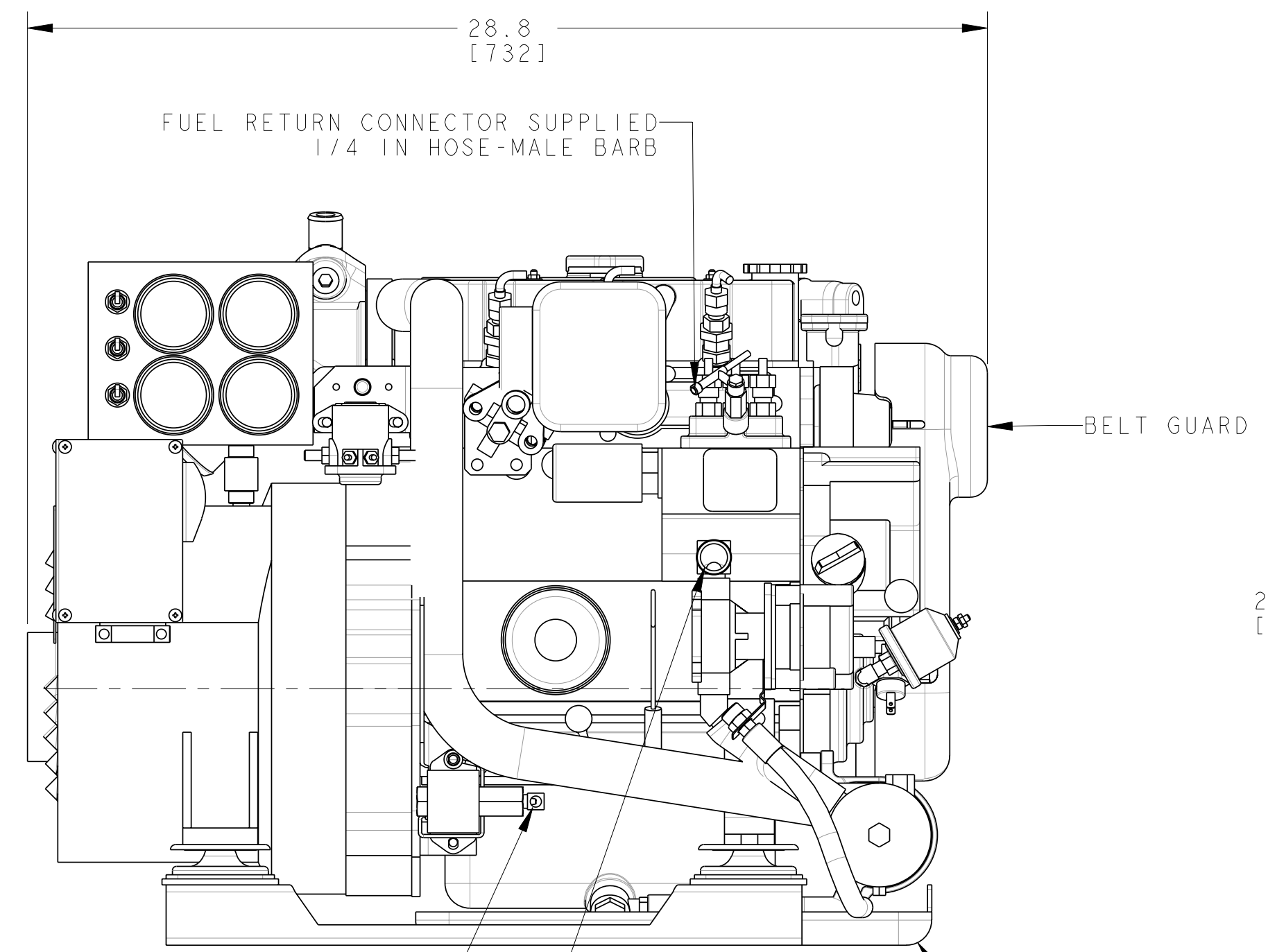
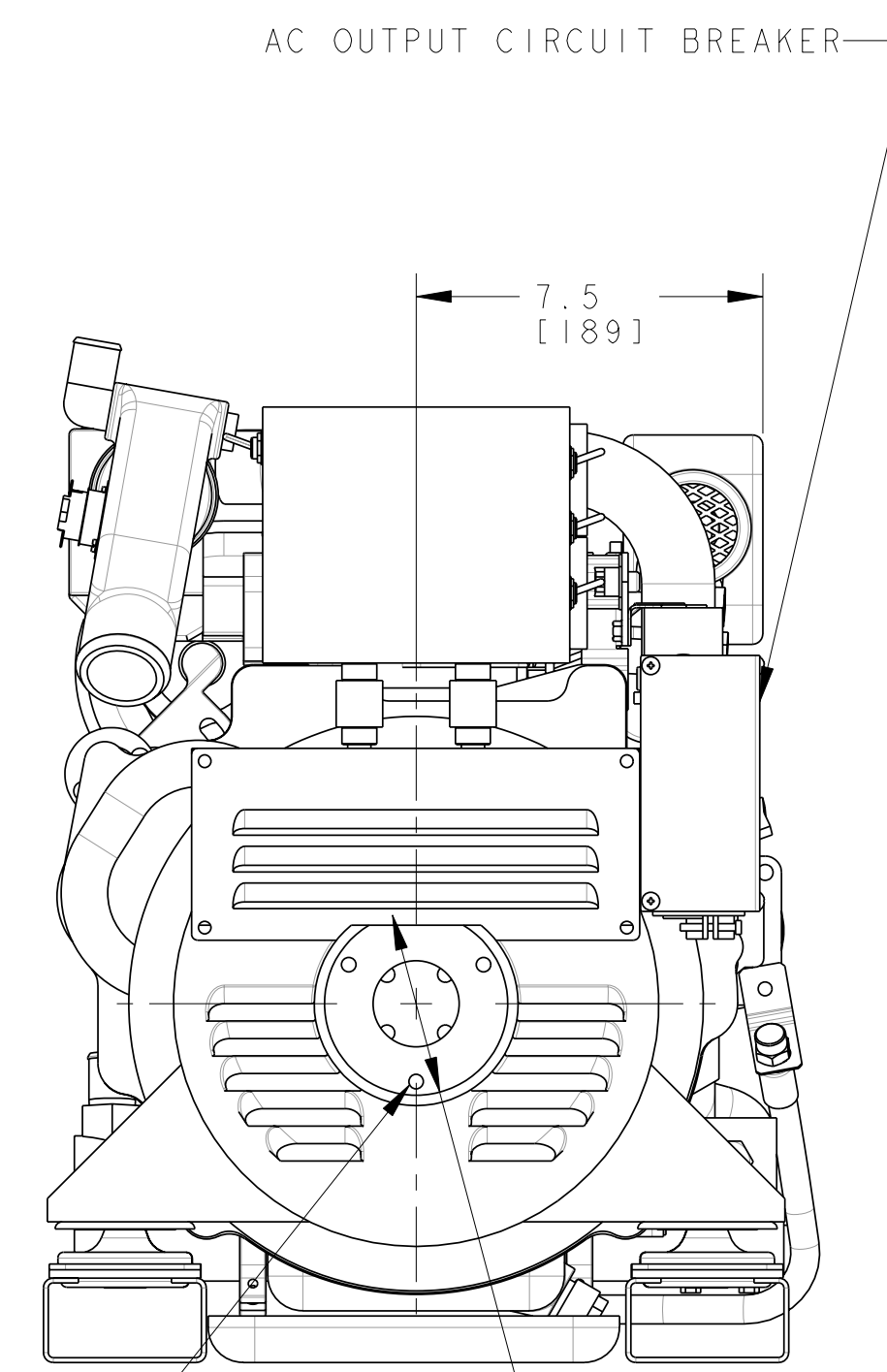
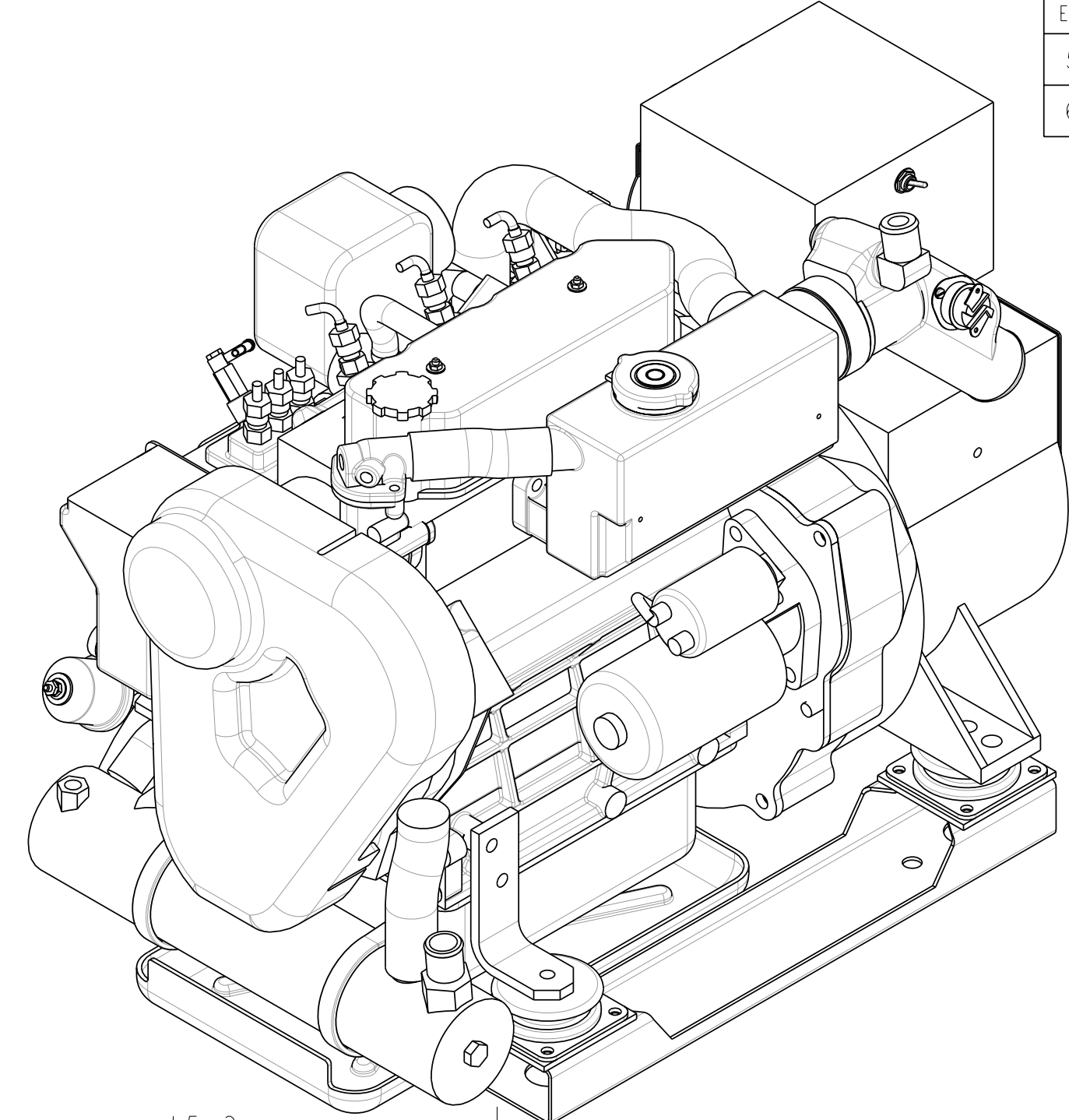
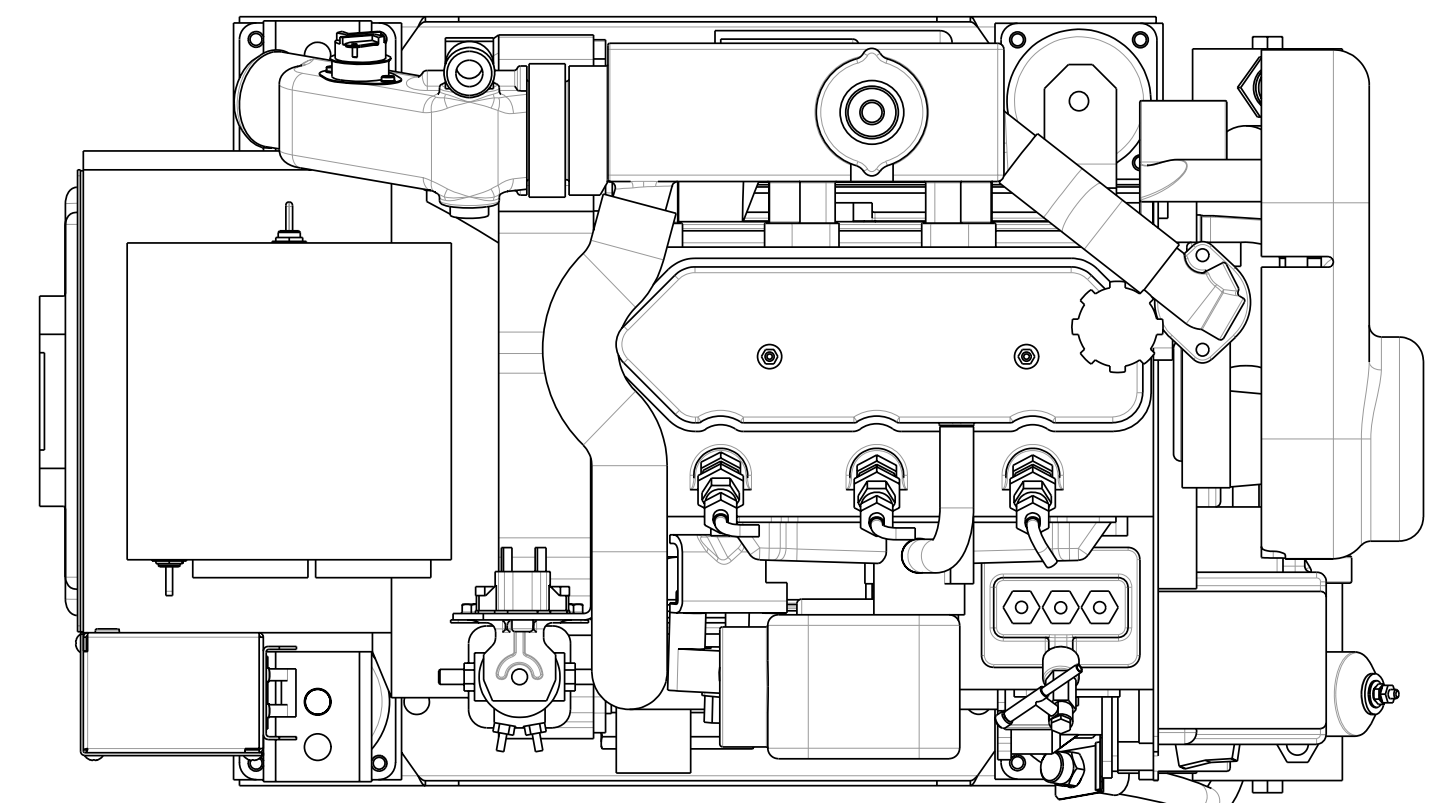


ECO NO.	DATE	REV.	REVISION RECORD	AUTH.	DR. BY
5351	8-22-02	A	CHANGED PANEL BOX		GA
6595	1-28-2009	B	UPDATED TITLE BOX WITH 4.0 BCDA MODEL.		GA



AC OUTPUT CIRCUIT BREAKER

7.5 [189]

Ø3.9 [100] BY 0.2 [2.5] DEEP

M12x.75 THREAD, 1.0 [25.4] DEEP, 3 HOLES EQUALLY SPACED ON A Ø3.34 [85.0] B.C.

FUEL RETURN CONNECTOR SUPPLIED 1/4 IN HOSE-MALE BARB

28.8 [732]

FUEL INLET CONNECTION 1/8-27 NPT (FEMALE)

RAW WATER INLET 1.0 [25.4] I.D. HOSE

BELT GUARD

PLASTIC DRIP TRAY

15.3 [390]

7.9 [200]

7.5 [189]

20.7 [526]

13.0 [330]

7.7 [196]

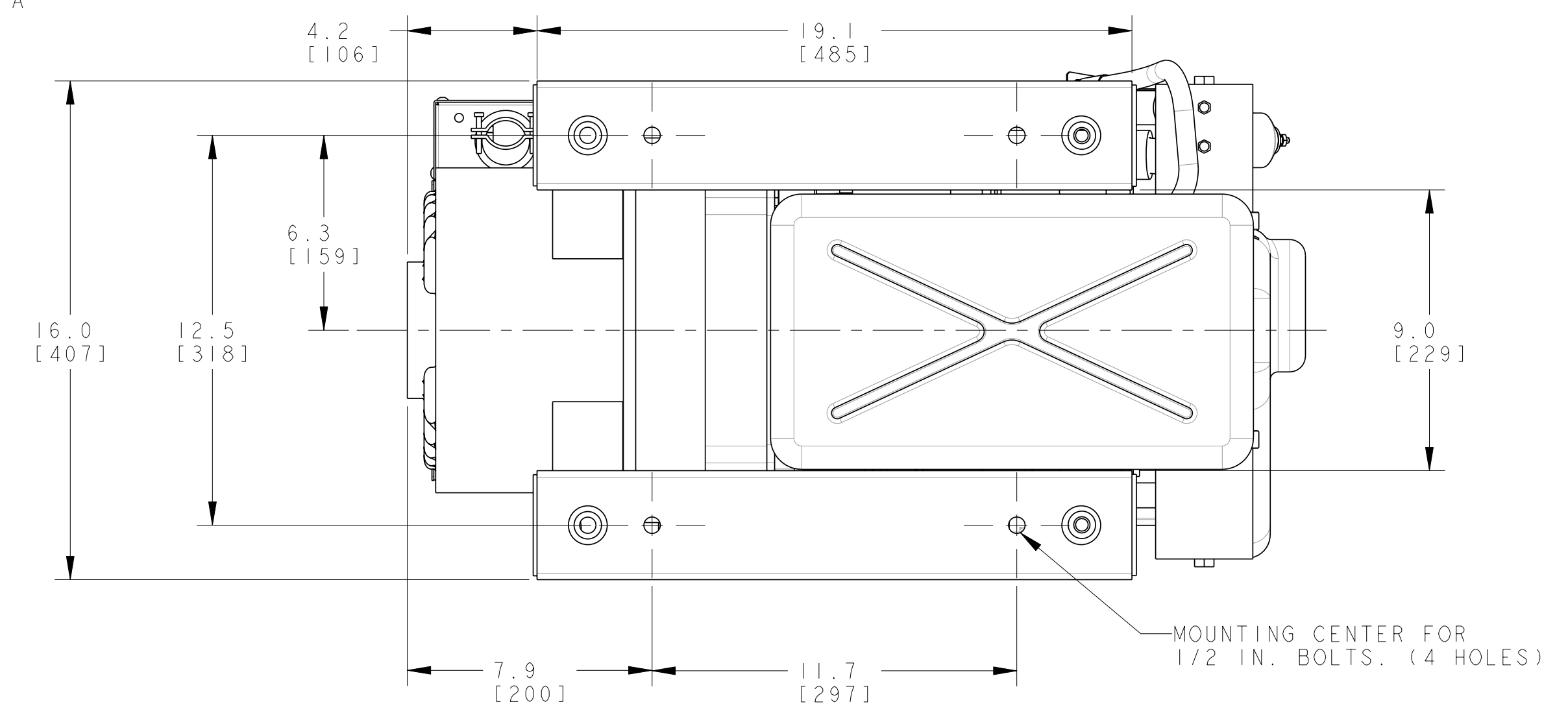
1.8 [46]

EXHAUST OUTLET 2.0 [50.8] I.D. HOSE

WATER INJECTION FITTING 1.0 [25.4] I.D. HOSE

RAW WATER DISCHARGE 1.0 [25.4] I.D. HOSE

BRUSHLESS GENERATOR



TOLERANCES (UNLESS OTHERWISE NOTED)		WESTERBEKE CORPORATION TAUNTON, MA. 02780	
INCHES	MILLIMETERS	TITLE	
.XX : .02	X. ± 1.0	INSTALLATION DRAWING	
.XXX : .005	.X ± .5	4.0 BCD, 4.0 BCDA	
CAST : .03	.XX ± .13		
ANGLES : °			
FINISH : Ⓢ			
DIMENSIONS		DRAWN BY	DATE
INCHES		GA	05/Jun/02
MILLIMETERS		APPROVED BY	DATE
(WHEN APPLICABLE)		SCALE 0.250	SIZE
		SHT. 1 OF 1	DRAWING NUMBER
		<b>D</b>	<b>47887</b>
			REV.
			<b>B</b>