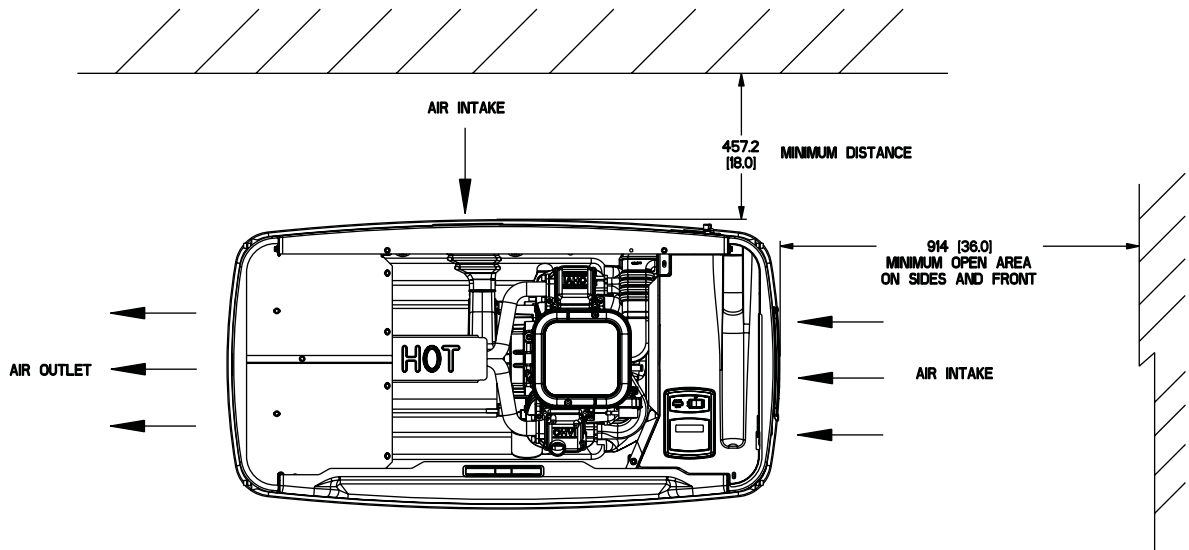
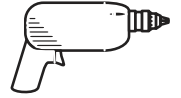


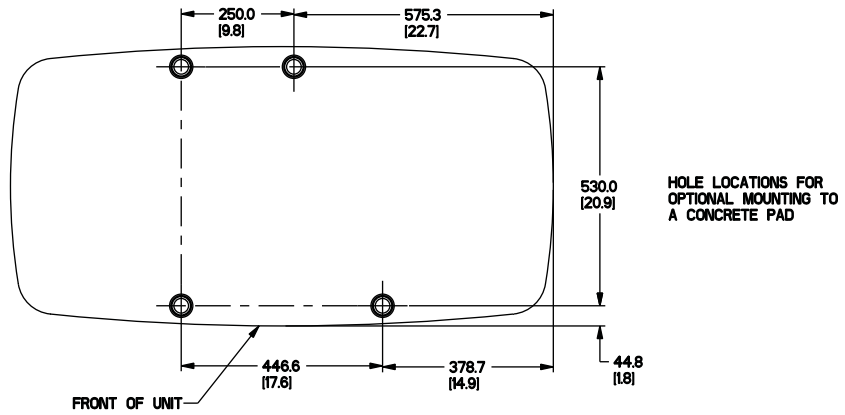
Section 8 – Installation Diagrams

Air-cooled Generators
Generator - Drawing No. 0G8280-D

INSTALLATION

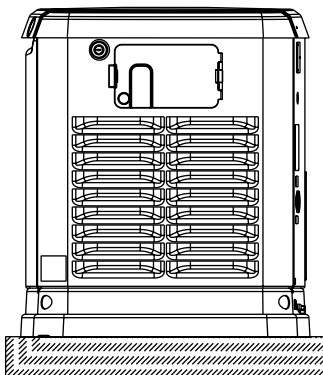


TOP VIEW

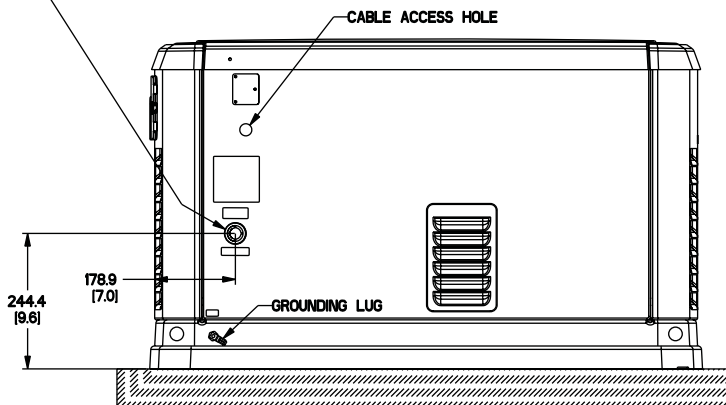


FUEL INLET - 12-20KW (1/2" NPT)
8 & 10KW (3/4" NPT) - USE SUPPLIED ADAPTER

REQUIRED FUEL PRESSURE: NATURAL GAS : 5-7" WATER COLUMN
LIQUID PROPANE (VAPOR) : 10-12" WATER COLUMN



RIGHT SIDE VIEW



REAR VIEW

•ALL DIMENSIONS IN:
MILLIMETERS [INCHES]